

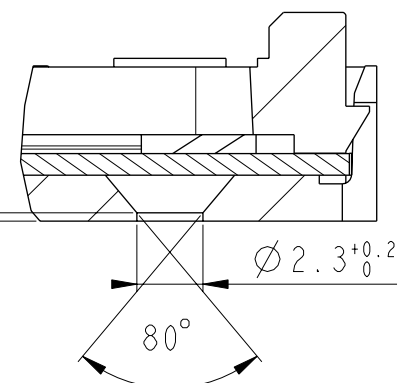
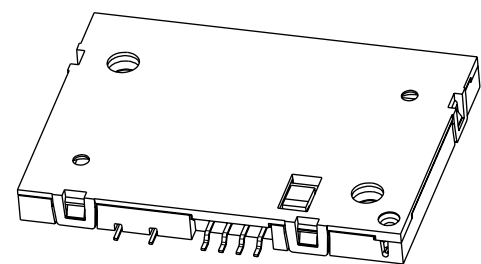
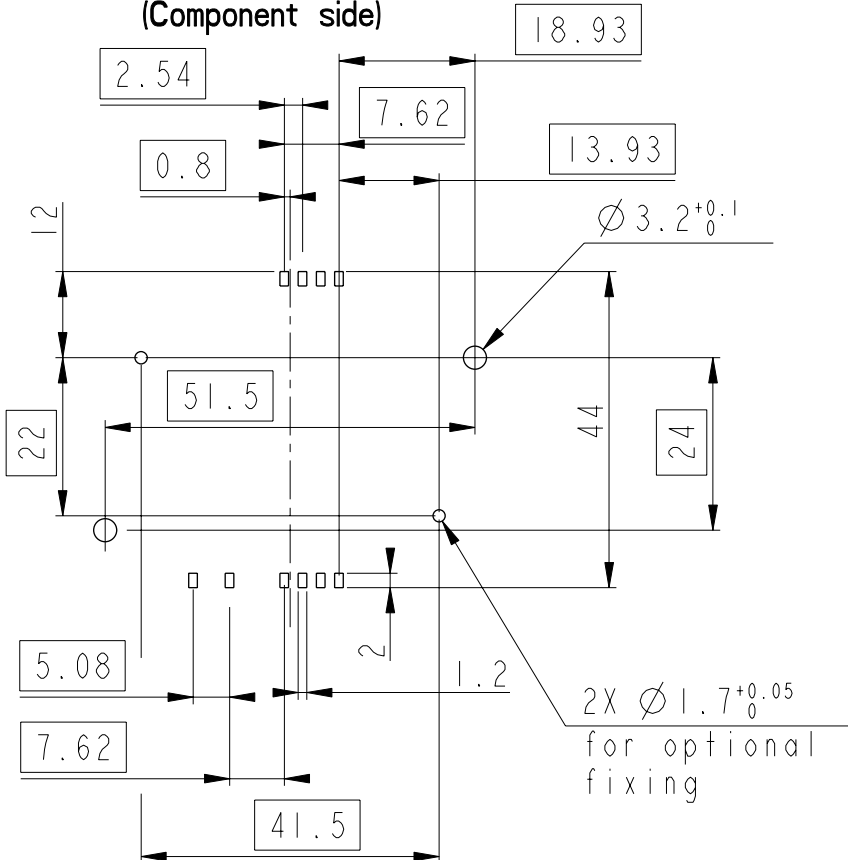
PART NUMBER	LEAD FREE VERSION	PACKAGING
7312E0225S01	7312E0225S01LF	Std Tray
7512E0225S01	7512E0225S01LF	Antistatic Tray
7712E0225S01	7712E0225S01LF	Small qty tray

A

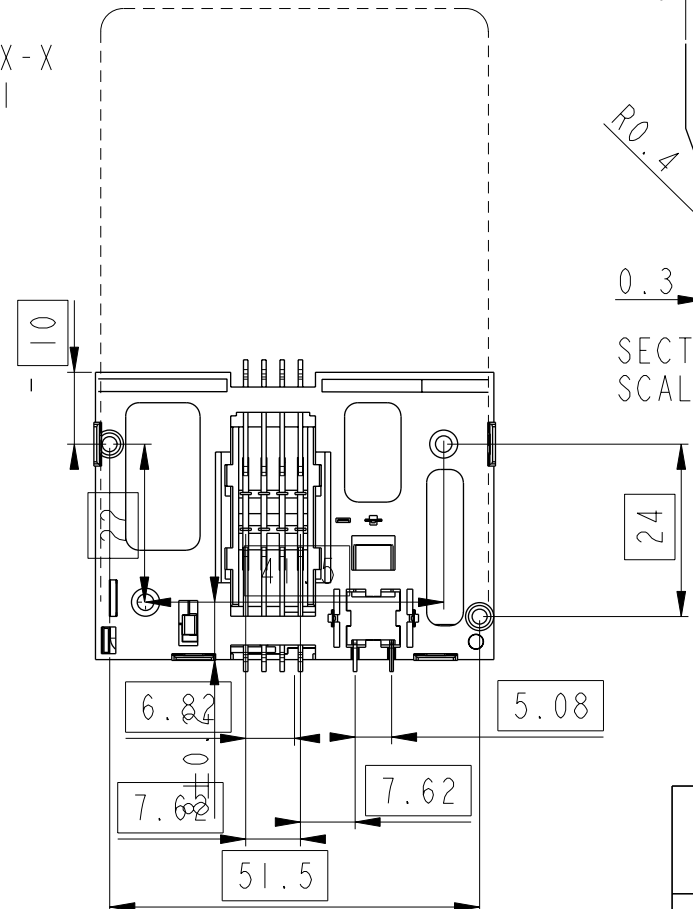
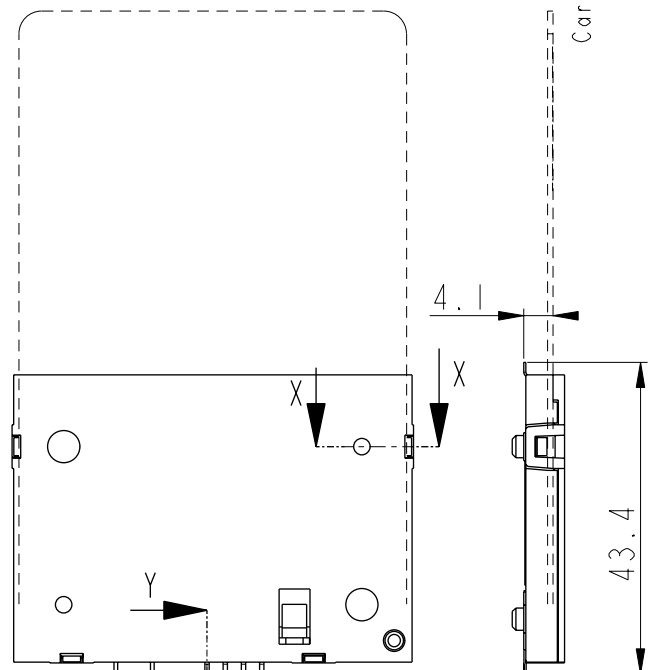
B

C

D

SECTION X-X  
SCALE 4:1Recommended PCB Layout  
(Component side)

2

SECTION Y-Y  
SCALE 4:1

General Tolerances			
0 to 10mm:	±0.1mm		
10 to 30mm:	±0.15mm		
30 to 60mm:	±0.2mm		
60 and more:	±0.3mm		

rev	ecn no	dr	date
A	F20307	DLE	2002/04/29
B	F20341	DLE	2002/06/04
C	LS3088	JTA	2003/11/17
D	I05-0176	NT	2005/09/29
E	I06-0078	DTK	2006/06/19
F	I08-0103	SSC	2008/08/18

www.fciconnect.com		surface	tolerance std	projection	mm
		ISO 1302	ISO 406 ISO 1101		Scale
		TOLERANCES UNLESS OTHERWISE SPECIFIED			1:1
Dr	D LEGRAND	2002/04/29	ANGULAR	0.X	±
Eng	F TISSERAND	2002/04/29	LINEAR	0.XX	±
Chr	S.S.CHERIAN	2008/08/18	0° ±°	0.XXX	±
Appr	S.S.CHERIAN	2008/08/18	Product family	MOBILE I/O	Spec ref
FCI		E02 CARD READER		VJW54003	
SMART CARD READER VXX 27819		See Table		CUSTOMER	
catalog no	See Table		CUSTOMER		sheet 1 of 1

**GENERAL :**

High cycle life duration smart card connector with landing type contacts mechanism. The landing type connector also provides the feature of recessed contacts when card is not inserted which protects them against vandalism.  
Smart card for reference purposes only.

**ELECTRICAL PROPERTIES:**

Insulation resistance : > 1000MΩ  
Dielectric withstanding voltage : >750 Vrms  
Current carrying capacity : Min 10μA, Max 1A  
Contact resistance : < 100mΩ

**MECHANICAL PROPERTIES :**

Operating force : Insertion : F < 10N  
Withdrawal : 1 < F < 10N  
Contact Normal force : 0.2 < F < 0.3 for 0.6mm of deflection  
Durability : 200 000 mating cycles

**MATERIAL :**

Head reader : High temp. Thermoplastic, Colour Black, Rated UL94V0  
Cover : High temp. Thermoplastic, Colour black, Rated UL94V0  
Contacts : Copper alloy,  
Plating : 2.5μm Nickel min. all over  
2μm Gold min. on contact area  
3μm SnPb(60/40) min. on solder tails(FOR LEADED VERSION)  
3μm matte tin min. on solder tails(FOR LEAD FREE VERSION)

**ENVIRONMENT :**

Operating temperature : -40°C / +85°C  
Climatic conditions : UTE 93-421

**PACKAGING :**

Plastic cavity tray

**LEAD FREE VERSION:**

"This product meets European Union Directives and other country regulations as described in GS-22-008"

The housing will withstand exposure to 260°C peak temperature for 10seconds in a convection reflow oven.



Copyright FCI.

2

3